

SODATSREAM

TRAITEMENT DE L'EAU GENESIS

MANUEL D'UTILISATION



Besoin d'aide ? Rendez-vous sur <https://sav.darty.com>

sodastream®

GENESIS™

User Manual Manuel d'utilisation Manual del Usuario

- ⚠ Please read the Instruction Manual and the Safety Instructions before operating the Soda Maker.
- ⚠ Veuillez lire attentivement les instructions du guide d'utilisation ainsi que les consignes de sécurité avant de faire fonctionner la machine à soda.
- ⚠ Por favor, lea el Manual de Instrucción y las Instrucciones de Seguridad antes de operar la Máquina de Soda.

Dear Customer:

△ Thank you for choosing to buy one of our quality Soda Makers. It is important that you read and understand all use and care instructions and the important safety information before operating the Soda Maker.

IMPORTANT: THIS SODA MAKER MAY COME WITH A SPECIAL DISHWASHER-SAFE CARBONATING BOTTLE IDENTIFIED BY ITS BLUE TINT AND PROMINENTLY MARKED "DISHWASHER-SAFE." IF YOU ARE USING A CARBONATING BOTTLE THAT IS NOT MARKED "DISHWASHER-SAFE," YOU SHOULD **NEVER** PLACE IT IN THE DISHWASHER OR OTHERWISE EXPOSE IT TO HEAT.

IMPORTANT SAFEGUARDS

- Close supervision is necessary when the Soda Maker is used near children. Keep out of reach of children.
- △ **WARNING:** If your carbonating bottle is not marked "Dishwasher-Safe" - **DO NOT** expose the carbonating bottle to temperatures above 120°F (49°C) or below 34°F (1°C). **DO NOT** wash the carbonating bottle in the dishwasher. **DO NOT** rinse the bottle in hot water and **DO NOT** place the bottle in the freezer. Doing so will compromise the integrity of the carbonating bottle material and may result in serious personal injury.
- △ **WARNING: DO NOT** use the Soda Maker to carbonate any liquids other than plain water. Add flavor only after carbonation.
- △ **WARNING: DO NOT** carbonate with any bottle not specifically designed to work with this Soda Maker.

SAVE THESE INSTRUCTIONS AND PROVIDE THEM TO ANY SUBSEQUENT USERS BEFORE THE MACHINE IS USED.

GENERAL WARNINGS

- **DANGER:** Misuse of this Soda Maker may result in serious personal injury.
- △ **WARNING: DO NOT** use the Soda Maker if it is not in its upright position as dangerous levels of CO₂ may accumulate in the carbonating bottle.
- **DO NOT** carbonate an empty bottle.
- △ **WARNING:** Carbonating bottle must be properly in place before operating the Soda Maker.
- **DO NOT** move Soda Maker during the carbonation process.
- **DO NOT** remove the carbonating bottle during the carbonation process.
- △ **WARNING: DO NOT** use the Soda Maker for anything other than carbonating water.
- Use of this Soda Maker for any unintended purposes may result in serious personal injury.
- △ **WARNING:** Always use the Soda Maker on a flat, stable, heat-resistant surface away from sources of heat. **DO NOT** place the Soda Maker on a hot surface (e.g., heating plate) and never use it close to an open flame.
- To reduce the risk of personal injury or property damage, any servicing other than cleaning and user maintenance should be performed by a SodaStream-authorized service representative.
- Please note: Small pieces of ice may appear in the water during carbonation when using very cold water. This is normal and the ice will quickly dissolve.

CO₂ CARBONATORS

- **DANGER:** A CO₂ leak can lead to carbon dioxide poisoning. In the event of a CO₂ leak, ventilate the area and seek immediate medical attention.
- △ **WARNING:** The carbonator should be inspected prior to use for any dents, punctures, or other damage. If any are detected, **DO NOT** use the carbonator and contact a SodaStream-authorized service representative.
- △ **WARNING:** Mishandling the carbonator can result in serious personal injury.
- Always keep the carbonator away from any heat source and out of direct sunlight.
- **DO NOT** transport the Soda Maker with the carbonator in place.
- **DO NOT** tamper with the carbonator in any way.
- **DO NOT** attempt to puncture or incinerate the carbonator.
- **DO NOT** throw the carbonator or cause it to fall.
- **DO NOT** handle a carbonator while it is discharging CO₂.

BOTTLES

- △ **IMPORTANT:** THIS SODA MAKER MAY COME WITH A SPECIAL DISHWASHER-SAFE CARBONATING BOTTLE IDENTIFIED BY ITS BLUE TINT AND PROMINENTLY MARKED "DISHWASHER-SAFE." IF YOU ARE USING A CARBONATING BOTTLE THAT IS NOT MARKED "DISHWASHER-SAFE," YOU SHOULD **NEVER** PLACE IT IN THE DISHWASHER OR OTHERWISE EXPOSE IT TO HEAT.
- △ **WARNING: DO NOT** carbonate with any bottle not specifically designed to work with this Soda Maker.
- △ **WARNING:** If your carbonating bottle is not marked "Dishwasher-Safe" - **DO NOT** expose the carbonating bottle to temperatures above 120°F (49°C) or below 34°F (1°C). **DO NOT** wash the SodaStream carbonating bottle in the dishwasher and **DO NOT** rinse the bottle in hot water. **DO NOT** place the bottle next to a heat source such as your kitchen stove. **DO NOT** leave the bottle in your car. **DO NOT** place the bottle in the freezer. Doing so will compromise the integrity of the carbonating bottle material and may result in serious personal injury.
- △ **WARNING: DO NOT** use carbonating bottle if changes in shape have occurred, as that indicates the bottle is damaged. **DO NOT** use bottles that are scratched, worn, discolored, or damaged in any way.
- △ **WARNING:** SodaStream carbonating bottles are clearly marked with an expiration date near the base of the bottle. **DO NOT** use bottles after this expiration date. Replace and recycle expired bottles in accordance with local recycling laws.
- If your carbonating bottle is marked "Dishwasher-Safe," make sure the liquid level is not higher than the fill line before the bottle is placed in the freezer.

CARBONATION

- ⚠ **WARNING: DO NOT** add flavoring prior to carbonation.
- ⚠ **WARNING: DO NOT** carbonate an empty bottle.
- Close adult supervision is required when the product is used near children.
- Soda Maker must be in an upright position when in use.

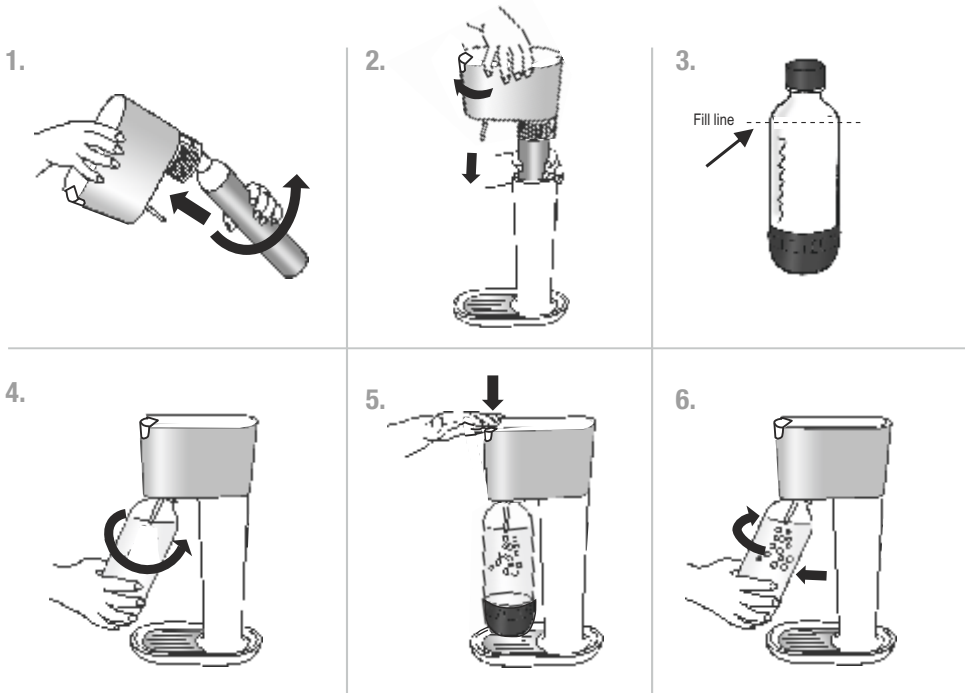
SODA MAKER STARTER KIT CONTENTS

- SodaStream Soda Maker
- Reusable BPA-Free Carbonating Bottle with Fizz-Preserving Cap*
- 60L CO₂ Carbonator**
- Flavor samples

* A dishwasher-safe carbonating bottle may be included. It is identified by its blue tint and "dishwasher-safe" markings.

** Depending on the type of Starter Kit Purchased, a mini CO₂ carbonator may be included instead. When empty, the mini CO₂ carbonator can be exchanged for a full size carbonator at participating retailers. The 60L carbonator produces up to 60 liters of soda, depending on the level of carbonation and type of Soda Maker used.

GETTING STARTED



Place Soda Maker on flat, sturdy surface, in an upright position. Remove packaging materials. Rinse bottle before using it for the first time. For best results, carbonate with chilled water.

1. Remove the valve seal and cap from the carbonator valve. Screw the carbonator into the Soda Maker's head. (Do not use any tools).
2. Place the Soda Maker head on the Soda Maker. Rotate until you hear a click.
3. Prior to carbonation, fill carbonating bottles with water up to the fill line and chill.
4. When ready to carbonate, screw the bottle into the machine.
5. Press the carbonating button in short presses until you hear a LOUD buzz. 3 LOUD buzzes will produce a standard fizz, additional presses will produce a stronger fizz.
6. Pull the carbonating bottle forward and unscrew to remove. Enjoy!

⚠ **WARNING: DO NOT** remove the bottle until you hear the sound of excess CO₂ releasing.

MAKE SODA: ADD FLAVORING

For SodaStream Caps: Place a SodaStream Cap on the top of the bottle and press firmly. Flavor will be immediately released and dissolved. No need to mix. Remove SodaStream Cap. Enjoy your soda or place bottle cap and tighten for future consumption.

For sodamix Bottles: Hold the carbonating bottle at a slight angle and slowly add a full capful of the desired flavor. Place bottle cap and tighten; then mix with a gentle rolling motion. See sodamix bottle for instructions.

CARE

SODA MAKER

- Never use abrasive cleaners or sharp tools to clean. If needed, use a mild hand dishwashing liquid and a soft, damp cloth to clean. Dry thoroughly before reinstalling.
- Wipe spills in base to keep base dry.
- **DO NOT** place in water or in a dishwasher. Doing so will seriously damage or destroy your Soda Maker.
- **DO NOT** place or store the Soda Maker close to a heat source such as a kitchen stove.

BOTTLES

FOR YOUR SAFETY:

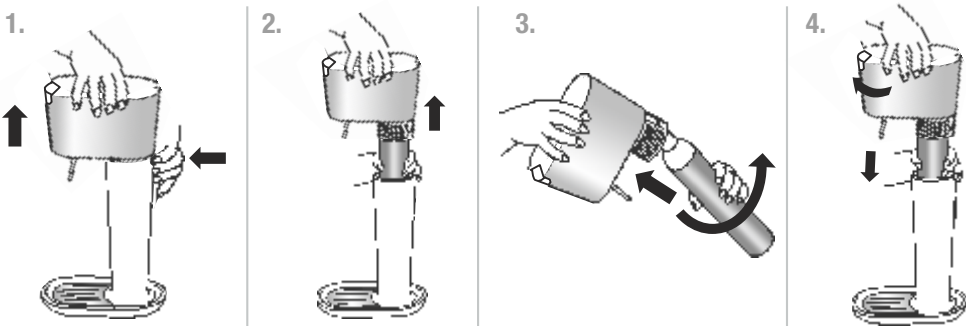
- ⚠ **WARNING:** IF YOUR CARBONATING BOTTLE IS NOT MARKED "DISHWASHER-SAFE," **DO NOT** WASH CARBONATING BOTTLES IN THE DISHWASHER. IF CARBONATING BOTTLES ARE MISTAKENLY PLACED IN THE DISHWASHER, **DO NOT** USE THEM. THROW THEM AWAY. USING BOTTLES THAT HAVE BEEN PLACED IN THE DISHWASHER OR BOTTLES THAT ARE SCRATCHED, WORN, DISCOLORED, OR DAMAGED IN ANY WAY MAY RESULT IN SERIOUS PERSONAL INJURY.
- If desired, rinse carbonating bottles with cold or lukewarm water, but never rinse with hot water. If needed, use a mild hand dishwashing liquid or a soft-bristled brush to clean.
- Only if your carbonating bottle is marked "Dishwasher-Safe" can it be washed in the dishwasher.
- Every SodaStream carbonating bottle has an expiration date printed on it. **DO NOT** use bottle after this date.

CARBONATORS

The SodaStream CO₂ carbonator is provided to you under license. The license allows you to exchange your empty carbonator for a full one at a participating SodaStream-authorized retailer near you.

Replacement bottles are available wherever SodaStream products are sold. Visit us at www.sodastreamusa.com for a list of local retailers and for ordering information.

REPLACING AN EMPTY CARBONATOR:



1. Unscrew the carbonating bottle from the Soda Maker. Press the button located at the rear.
2. Pull the Soda Maker head upwards. Unscrew the empty carbonator. (Use caution when removing carbonator as it may be very cold.)
3. Screw the new carbonator into the Soda Maker's head.
4. Place the Soda Maker head on the Soda Maker. Rotate until you hear a click.

TROUBLESHOOTING YOUR SODA MAKER

Before you call for service, check the list of problems and solutions below:

SODA MAKER DOES NOT WORK:

- You might be out of gas; replace your carbonator.
- Check that the carbonating bottle has been filled with water up to the fill line.
- Ensure that the Soda Maker is always in the upright position.
- Carbonator may be loose. **DO NOT** use tools. Detach the bottle and retighten the carbonator. Apply firm pressure but do not over tighten. If the carbonator is already firmly in place, it may be empty. Replace with a full carbonator.
- ⚠ **WARNING:** Use caution when removing carbonator as it may be very cold.

YOU HEAR GAS ESCAPING FROM THE BOTTLE:

- Bottle may not be properly attached. Allow the Soda Maker to finish the carbonation process and then you can detach the bottle and reconnect it, following the instructions in the "Getting Started" section.
- It is normal to hear a small amount of gas escape at the end of the carbonating process.

WANT TO RE-CARBONATE A DRINK THAT WAS ALREADY CARBONATED:

- ⚠ **WARNING: FOR YOUR SAFETY, NEVER** carbonate again after adding flavor. You may recarbonate only water, as explained in the "Getting Started" section.

YOUR SODA MAKER CONTINUES TO RELEASE GAS AFTER CARBONATION IS FINISHED:

- ⚠ **WARNING: DO NOT REMOVE THE CARBONATOR OR THE BOTTLE. LEAVE THE SODA MAKER IN AN UPRIGHT POSITION. DO NOT TOUCH IT UNTIL YOU NO LONGER HEAR GAS ESCAPING.** When the Soda Maker is no longer releasing gas, remove the carbonating bottle, and contact your local SodaStream Customer Service Center.

YOU HEAR THE SOUND OF LEAKING GAS AFTER INSTALLING A NEW CARBONATOR INTO THE SODA MAKER:

- There may be a pressure leak between the carbonator holder and the valve. Screw the carbonator tighter into its fitting. **DO NOT** use tools.

YOU HEAR A LOW HISSING NOISE DURING CARBONATION:

- This is normal and the noise will stop after carbonation when the bottle is tilted forward, releasing the pressure.

YOU EXPERIENCE POOR CARBONATION:

- If you have not yet added flavor, try to carbonate to a higher carbonation level by pressing the button on top of the machine.
- Check the carbonator. You might be out of gas.
- Make sure that you are carbonating chilled water.

WATER OVERFLOWS FROM THE CARBONATING BOTTLE DURING CARBONATION:

- Check that the carbonating bottle is filled to just below the fill line.
- Avoid pressing the carbonation button for too long. Use short, firm presses only.

YOUR SODA IS NOT FLAVORFUL ENOUGH:

- Just add more flavor to taste!
- **DO NOT** re-carbonate after adding flavor.

SMALL PIECES OF ICE APPEAR IN THE WATER DURING CARBONATION:

- This is normal and might happen, especially when carbonating very cold water. The ice will quickly dissolve and you can enjoy your drink extra cold!

⚠ **WARNING:** If you suspect your Soda Maker is damaged, stop using it immediately and call your local SodaStream Customer Service Center.

SODASTREAM LIMITED WARRANTY

Great care has been taken to ensure that your Soda Maker was delivered to you in good condition. SodaStream stands behind its products. We warrant, subject to the terms and conditions set forth in this limited warranty, that your Soda Maker will be free of defects in materials and workmanship under normal home use for ten (10) years following the date of purchase.

It is recommended that you register your Soda Maker online, at www.sodastreamusa.com, or send in the product registration postcard that came with your Soda Maker.

If your Soda Maker malfunctions, and we determine the malfunction was due to faulty workmanship or materials, we will either repair or replace it free of charge, at our discretion. SodaStream may replace your Soda Maker with a reconditioned Soda Maker, or an equivalent one if the model you purchased is no longer available. No refunds shall be given. This limited 10-year warranty is available to consumers located in the US only, if you own a Soda Maker that was purchased at retail in the US for personal, family or household use.

This warranty DOES NOT cover:

- Abuse, misuse, alteration of the Soda Maker, or commercial use;
- Damage resulting from carbonating liquids other than water;
- Normal wear and tear (e.g. discoloration);
- Product malfunctions that were a result, in whole or in part, by alteration, disassembly, or repair of the Soda Maker by a servicer other than an authorized SodaStream Service Center;
- Damage resulting from the use of carbonators or carbonating bottles other than those approved by SodaStream for use with your Soda Maker;
- Damage resulting from use of the Soda Maker with an adapter valve;
- Damage resulting from the use of an expired carbonating bottle;
- Damage caused by accident, shipment or anything other than normal household use;
- The carbonating bottles and carbonators.

SodaStream is not liable for incidental or consequential damages. The consumers' sole and exclusive remedy shall be repair or replacement according to the terms and conditions of this warranty. Some states do not allow the exclusion or limitation of these damages, so these exclusions may not apply to you. To the extent that this warranty is inconsistent with local law, this warranty shall be deemed modified to be consistent with such local law. You may also have other rights, which vary from state to state. The benefits given to the consumer by this warranty are in addition to other rights and remedies that may be afforded to the consumer by law in relation to this Soda Maker.

TO OBTAIN WARRANTY SERVICE

If your product is in need of warranty service, please contact the U.S. SodaStream Customer Service by telephone at 1-800-763-2258, fax at 1-856-667-7893, or contact us via our website at www.sodastreamusa.com. A SodaStream representative will give you specific instructions on how to arrange for the shipment of your Soda Maker, at your expense, to one of our authorized service centers.

FOR CALIFORNIA RESIDENTS

California residents may also obtain warranty service by returning any malfunctioning Soda Maker directly to a retail store that sells similar SodaStream products. At the retail store's discretion, it may either replace the product or arrange for shipment to a SodaStream repair facility. Product registration is not a prerequisite for warranty protection.

NON-WARRANTY SERVICE

If SodaStream or its authorized agents determine that the malfunction or damage is not covered by the warranty, SodaStream will repair the Soda Maker only upon payment of the determined repair charge.

TERMS AND CONDITIONS

Any and all claims, complaints, demands for judgment or legal actions brought hereunder relating to in any way your Soda Maker shall be governed by, and construed in accordance with, the laws of the State of New Jersey without reference to its conflicts of law principles. Purchaser(s) and user(s) irrevocably consent to the jurisdiction of the State and Federal courts located in the State of New Jersey in connection with all actions arising out of or in connection with the Soda Maker. Purchaser(s) and user(s) waive any and all objections that venue in New Jersey is an inconvenient forum. Purchaser(s) and user(s) further agree that he or she will not initiate any action against SodaStream in any other jurisdiction.

CARBONATORS

Your Soda Maker has been designed to operate with a genuine SodaStream carbonator. Use of other CO₂ carbonators is not recommended as they may not be compatible with this SodaStream Soda Maker. Replacement carbonators are available from authorized SodaStream retailers.

CARBONATING BOTTLES

Your Soda Maker has been designed to operate with a suitable SodaStream carbonating bottle. Please recycle your expired bottles in accordance with local recycling laws.

SPECIFICATIONS

Machine Rating:

Maximum Working Pressure: 145 PSI/10 Bar

Maximum Allowed Operating Temperature: 104°F/40°C

Bottle Capacity at fill line is approximately: 33 fl. oz./1 qt.

Brimful bottle capacity is approximately: 37 fl. oz./1.15 qt.

SODASTREAM is a trademark of SodaStream International Ltd. or its affiliates.

Cher client:

△ Nous vous remercions d'avoir choisi l'une de nos machines à soda. Il est essentiel de lire et de comprendre toutes les instructions relatives à l'utilisation et à l'entretien de cet appareil ainsi que les consignes – particulièrement importantes – de sécurité, avant de le faire fonctionner.

REMARQUE IMPORTANTE: CETTE MACHINE À SODA EST FOURNIE AVEC UNE BOUTEILLE SPÉCIALE DE GAZÉIFICATION, RÉSISTANTE AU LAVE-VAISSELLE, RECONNAISSABLE À SA COULEUR BLEUE ET À LA MENTION MISE EN RELIEF "RÉSISTANTE AU LAVE-VAISSELLE". SI VOUS UTILISEZ UNE BOUTEILLE DE GAZÉIFICATION SUR LAQUELLE N'APPARAÎT PAS CETTE MENTION, NE LA METTEZ EN AUCUN CAS DANS LE LAVE-VAISSELLE ET NE L'EXPOSEZ PAS À LA CHALEUR.

PRÉCAUTIONS IMPORTANTES

- L'étroite surveillance d'un adulte est nécessaire lors de l'utilisation de l'appareil en présence d'un ou de plusieurs enfants. Garder l'appareil hors de la portée des enfants.
- △ **ATTENTION:** Si votre bouteille de gazéification n'est pas mentionnée comme étant 'Résistante au lave-vaisselle', respectez les consignes suivantes – **NE PAS** l'exposer à des températures supérieures à 49°C (120°F) ou inférieures à 1°C (34°F); **NE PAS** la passer au lave-vaisselle; **NE PAS** la rincer à l'eau chaude et **NE PAS** la mettre au congélateur. Cela pourrait nuire à l'intégrité des matériaux composant la bouteille et causer de graves blessures corporelles.
- △ **ATTENTION: NE PAS** utiliser la machine à soda pour gazéifier d'autres liquides que l'eau plate. L'addition d'arômes ne doit se faire qu'après la gazéification.
- △ **ATTENTION: NE PAS** effectuer la gazéification avec d'autres bouteilles que les bouteilles spécialement conçues pour cette machine à soda.

CONSERVEZ SOIGNEUSEMENT CES INSTRUCTIONS ET REMETTEZ-LES À TOUT UTILISATEUR POTENTIEL AVANT QU'IL OU ELLE N'UTILISE CET APPAREIL.

INSTRUCTIONS GÉNÉRALES

- **DANGER:** La mauvaise utilisation de cette machine à soda peut causer de graves blessures corporelles.
- △ **ATTENTION: NE PAS** utiliser la machine à soda autrement qu'en position verticale, sous peine d'entraîner l'accumulation de CO₂ en concentration dangereuse dans la bouteille.
- **NE PAS** gazéifier une bouteille vide.
- △ **ATTENTION:** La bouteille de gazéification doit être bien en place avant d'utiliser la machine à soda.
- **NE PAS** déplacer la machine à soda pendant la gazéification.
- **NE PAS** retirer la bouteille pendant la gazéification.
- △ **ATTENTION: NE PAS** utiliser la machine à soda pour une autre gazéification que celle de l'eau.
- L'utilisation de cette machine à d'autres fins que celles désignées peut provoquer de graves blessures corporelles.
- △ **ATTENTION:** Le fonctionnement de cet appareil doit toujours se faire sur une surface plane, stable, thermorésistante, éloignée de toute source de chaleur. **NE PAS** poser la machine à soda sur une surface chaude (une plaque chauffante par exemple) et ne pas l'utiliser à proximité d'une flamme nue.
- Pour réduire les risques de blessures ou de dommages matériels, toute intervention sur l'appareil autre que le nettoyage et l'entretien de routine doit être effectuée par un technicien agréé SodaStream.
- Remarque : des petits morceaux de glace peuvent apparaître dans l'eau durant la gazéification d'eau très froide. Ce phénomène est normal et la glace se dissout ensuite rapidement et d'elle-même.

CARBONATEURS (Cylindres de CO₂)

- **DANGER:** Une fuite de CO₂ peut conduire à une intoxication au dioxyde de carbone. En cas de fuite de CO₂, aérez immédiatement la pièce et consultez un médecin.
- △ **ATTENTION:** Le carbonateur doit être inspecté avant toute utilisation afin d'y déceler d'éventuelles bosselures, perforations ou tous autres dommages. Si de tels défauts sont révélés à l'inspection : N'utilisez PAS le carbonateur et contactez un technicien agréé SodaStream.
- △ **ATTENTION:** Toute mauvaise manipulation du carbonateur (cylindre de CO₂) peut entraîner de graves blessures corporelles.
- Conservez le cylindre à l'écart de toute source de chaleur et à l'abri toute exposition directe à la lumière solaire.
- **NE PAS** transporter la machine à soda quand le carbonateur y est fixé.
- **NE PAS** altérer le carbonateur de quelque manière qui soit.
- **NE PAS** tenter de percer ou de faire brûler le carbonateur.
- **NE PAS** jeter ni faire tomber le carbonateur.
- **NE PAS** manipuler le carbonateur pendant le dégagement de CO₂.

BOUTEILLES

- **IMPORTANT :** IL EST POSSIBLE QUE CETTE MACHINE À SODA SOIT FOURNIE AVEC UNE BOUTEILLE SPÉCIALE DE GAZÉIFICATION, RÉSISTANTE AU LAVE-VAISSELLE, RECONNAISSABLE À SA COULEUR BLEUE ET À LA MENTION MISE EN RELIEF "RÉSISTANTE AU LAVE-VAISSELLE". SI VOUS UTILISEZ UNE BOUTEILLE DE GAZÉIFICATION SUR LAQUELLE N'APPARAÎT PAS CETTE MENTION, NE LA METTEZ EN AUCUN CAS DANS LE LAVE-VAISSELLE ET NE L'EXPOSEZ PAS À LA CHALEUR.
- △ **ATTENTION: NE PAS** effectuer la gazéification avec d'autres bouteilles que les bouteilles spécialement conçues pour cette machine à soda.
- △ **ATTENTION:** Si votre bouteille de gazéification n'est pas mentionnée comme étant 'Résistante au lave-vaisselle', respectez les consignes suivantes – **NE PAS** l'exposer à des températures supérieures à 49°C (120°F) ou inférieures à 1°C (34°F); **NE PAS** la passer au lave-vaisselle; **NE PAS** la rincer à l'eau chaude; **NE PAS** la placer près d'une source de chaleur comme la gazinière de la cuisine; **NE PAS** la laisser dans la voiture; **NE PAS** la mettre au congélateur. Cela pourrait nuire à l'intégrité des matériaux composant la bouteille et causer de graves blessures corporelles.
- △ **ATTENTION: NE PAS** utiliser une bouteille de gazéification dont la forme est altérée, ceci indiquant en effet qu'elle a été endommagée. **NE PAS** utiliser les bouteilles rayées, usées, décolorées ou abîmées de quelque manière qui soit.
- △ **ATTENTION:** Les bouteilles de gazéification SodaStream portent toutes une date de péremption clairement indiquée au bas de la bouteille. **NE PAS** utiliser les bouteilles au-delà de cette date. Remplacez et recyclez les bouteilles périmées conformément à la réglementation locale de recyclage en vigueur.
- Si la bouteille de gazéification porte la mention 'Résistante au lave-vaisselle', veillez à ce que le niveau du liquide ne dépasse par la ligne de remplissage avant de la mettre au congélateur.

GAZÉIFICATION

- ⚠ **ATTENTION: NE PAS** ajouter d'arôme avant la gazéification.
- ⚠ **ATTENTION: NE PAS** gazéifier une bouteille vide.
- L'étroite surveillance d'un adulte est nécessaire lors de l'utilisation de l'appareil en présence d'un ou de plusieurs enfants.
- La machine à soda doit impérativement être utilisée en position verticale.

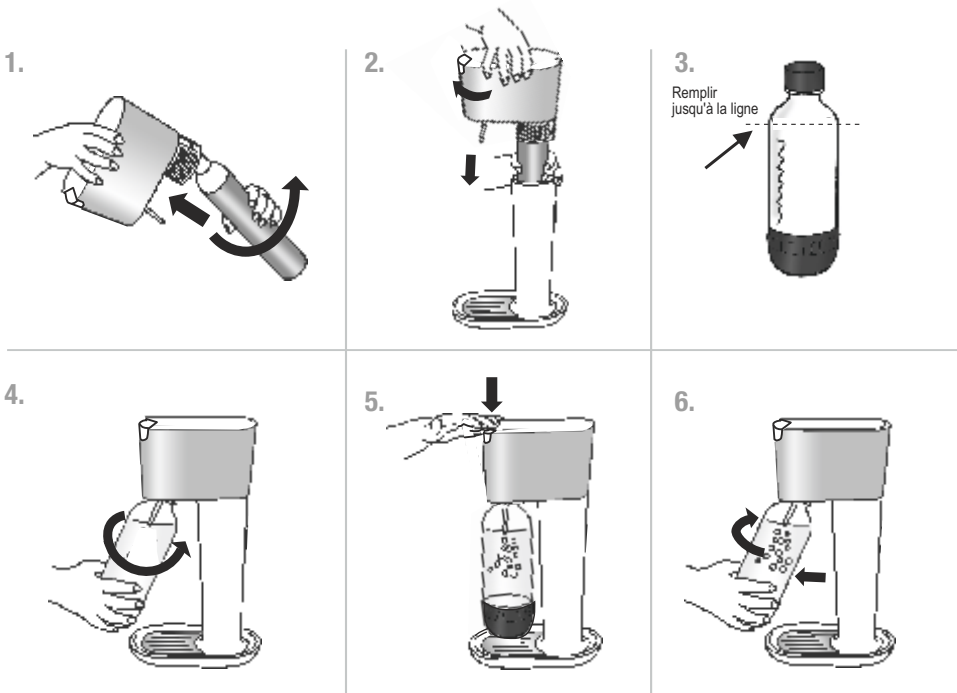
CONTENU DU KIT DE PREMIÈRE UTILISATION

- Machine à soda SodaStream.
- Bouteille de gazéification réutilisable, sans BPA, avec capuchon de maintien du pétilllement.*
- Carbonateurs (cylindres de CO₂) 60 litres.**
- Échantillons d'arômes.

* Il est possible qu'une bouteille de gazéification, résistante au lave-vaisselle, soit incluse. Elle est reconnaissable à sa couleur bleue et à sa mention "Résistante au lave-vaisselle".

** Certains kits de première utilisation contiennent un mini-carbonateur. Une fois vide, celui-ci peut être échangé auprès des revendeurs agréés et remplacé par un carbonateur de la taille prévue pour l'appareil. Les carbonateurs 60L sont prévus pour produire jusqu'à 60 litres de soda, selon le degré de gazéification pratiqué et le type de machine à soda utilisé.

DÉMARRAGE



Posez la machine à soda sur une surface plane et solide, en position verticale. Retirez les matériaux d'emballage. Rincez la bouteille avant de l'utiliser pour la première fois. Pour de meilleurs résultats, utilisez de l'eau glacée.

1. Retirez l'opercule et le bouchon du carbonateur. Vissez le carbonateur à la partie supérieure de l'appareil (sans utiliser d'outils).
2. Placez la partie supérieure de la machine à soda sur l'appareil puis tournez-la jusqu'à entendre un clic.
3. Avant de commencer la gazéification, remplissez d'eau les bouteilles de gazéification jusqu'à la ligne de remplissage, puis réfrigérez.
4. Lorsque l'eau est prête à être gazéifiée, fixez la bouteille à la machine à soda en la vissant.
5. Appuyez sur le bouton de gazéification de façon à entendre le signal SONORE correspondant. 3 signaux SONORES indiquent un degré de gazéification normale. Chaque pression supplémentaire sur le bouton fournit une gazéification d'autant plus intense.
6. Inclinez la bouteille vers l'avant et dévissez-la pour la retirer. Savourez maintenant votre boisson !
 - ⚠ **ATTENTION: NE retirez PAS** la bouteille avant d'avoir entendu s'échapper l'excédent de CO₂.

POUR FAIRE DU SODA – AJOUTEZ LES CONCENTRÉS AROMATIQUES

Capuchons SodaStream (Sodacaps): placez un capuchon SodaStream sur le goulot de la bouteille et appuyez fermement. L'arôme se dissout et se diffuse immédiatement. Il n'est pas nécessaire de mélanger. Retirez le capuchon SodaStream. Savourez dès à présent votre boisson ou fermez bien la bouteille avec son bouchon pour la consommer ultérieurement.

Flacons SodaMix: inclinez légèrement la bouteille de gazéification et versez lentement une pleine dose du concentré aromatique souhaité. Rebouchez la bouteille en serrant bien le bouchon, et mélangez doucement. Consultez les instructions figurant sur le flacon de Soda Mix pour effectuer le mélange.

ENTRETIEN

MACHINE À SODA

- N'utilisez jamais d'abrasifs ni d'outils coupants pour nettoyer la machine. Si nécessaire, utilisez un liquide-vaisselle doux pour les mains et un linge doux et humide. Séchez bien l'appareil avant de le réinstaller.
- Essuyez les éclaboussures afin de maintenir la base sèche.
- **NE mettez PAS** l'appareil dans l'eau ni dans le lave-vaisselle, car cela pourrait lui causer de sérieux dégâts ou le mettre hors d'usage.
- **NE posez PAS** ni ne rangez la machine à soda à proximité d'une source de chaleur comme la gazinière de la cuisine.

BOUTEILLES

POUR VOTRE SÉCURITÉ :

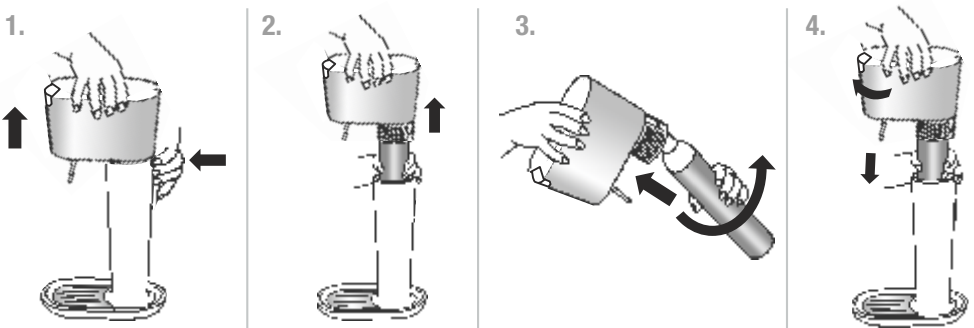
- **⚠ ATTENTION:** SI VOTRE BOUTEILLE DE GAZÉIFICATION NE PORTE PAS LA MENTION 'RÉSISTANTE AU LAVE-VAISSELLE'. NE LA PASSEZ PAS AU LAVE-VAISSELLE. SI DES BOUTEILLES DE GAZÉIFICATION SONT MISES PAR ERREUR DANS LE LAVE-VAISSELLE, NE LES UTILISEZ PAS ET JETEZ-LES. L'UTILISATION DE BOUTEILLES PASSÉES PAR ERREUR AU LAVE-VAISSELLE OU DE BOUTEILLES RAYÉES, USÉES, DÉCOLORÉES OU ENDOMMAGÉES DE QUELQUE FAÇON QUI SOIT, PEUT PROVOQUER DE GRAVES BLESSURES CORPORELLES.
- Si vous le souhaitez, rincez les bouteilles de gazéification à l'eau froide ou tiède, mais jamais à l'eau chaude. Au besoin, nettoyez avec un liquide-vaisselle doux pour les mains ou avec une tablette de nettoyage SodaStream et une brosse souple.
- Votre bouteille de gazéification ne peut être lavée dans le lave-vaisselle que si elle porte la mention 'Résistante au lave-vaisselle'.
- Les bouteilles de gazéification SodaStream portent toutes une date de péremption clairement indiquée au bas de la bouteille. N'utilisez PAS les bouteilles au-delà de cette date.

CARBONATEURS

Le carbonateur – ou cylindre de CO₂ SodaStream vous est fourni sous licence. Cette licence vous permet d'échanger votre carbonateur vide contre un carbonateur plein auprès de votre revendeur agréé SodaStream.

Vous trouverez des carbonateurs de rechange dans tous les points de vente des produits SodaStream. Consultez la liste de nos revendeurs locaux sur le site sodastream.com, ainsi que la procédure de commande.

REMPACEMENT D'UN CARBONATEUR VIDE



1. Dévissez la bouteille de gazéification. Appuyez sur le bouton situé à l'arrière de l'appareil.
2. Tirez la partie supérieure de la machine vers le haut, puis retirez le carbonateur vide en le dévissant. (Attention! Il se peut que le carbonateur soit très froid).
3. Vissez le nouveau carbonateur à la partie supérieure de l'appareil.
4. Installez ensuite cette dernière sur l'appareil puis tournez-la jusqu'à entendre un clic.

LOCALISATION DES PANNES DE VOTRE MACHINE À SODA

Avant de contacter notre personnel technique, veuillez consulter la liste suivante de solutions aux éventuels problèmes.

LA MACHINE À SODA NE FONCTIONNE PAS

- Il n'y a plus de gaz: remplacez le carbonateur.
- Vérifiez que la bouteille de gazéification a bien été remplie d'eau jusqu'à la ligne de remplissage.
- Assurez-vous que la machine à soda est toujours en position verticale.
- Le carbonateur a du jeu. N'utilisez PAS d'outils. Dégagez la bouteille, ouvrez le couvercle arrière et resserrez le cylindre. Appliquez une pression légère sans trop serrer. Si le carbonateur est déjà bien en place, il se peut qu'il soit vide et doive être remplacé par un cylindre plein.
- ⚠ **ATTENTION:** Soyez prudent(e) lorsque vous retirez le carbonateur; il se peut qu'il soit très froid.

VOUS ENTENDEZ DU GAZ S'ÉCHAPPER DE LA BOUTEILLE

- La bouteille n'est peut-être pas bien fixée. Laissez la machine à soda achever le processus de gazéification; vous pourrez ensuite dégager la bouteille et la remettre en place en suivant les consignes du paragraphe 'Premières étapes'.
- Il est normal d'entendre de petites quantités de gaz s'échapper à la fin du processus de gazéification.

RENOUVELER LA GAZÉIFICATION D'UNE BOISSON AYANT DÉJÀ ÉTÉ GAZÉIFIÉE

- ⚠ **ATTENTION: POUR VOTRE SÉCURITÉ, NE renouvelez JAMAIS la gazéification d'un liquide après l'avoir aromatisé.** Vous pouvez renouveler la gazéification de l'eau uniquement en suivant pour cela les instructions du paragraphe 'Préparation d'eau gazeuse'.

VOTRE MACHINE À SODA CONTINUE DE LAISSER S'ÉCHAPPER DU GAZ APRÈS LA GAZEIFICATION

- ⚠ **ATTENTION: NE RETIREZ PAS LE CYLINDRE NI LA BOUTEILLE. LAISSEZ LA MACHINE À SODA EN POSITION VERTICALE. N'Y TOUCHEZ PAS TANT QUE LE BRUIT D'ÉCHAPPEMENT DU GAZ N'A PAS COMPLÈTEMENT CESSÉ.** Lorsque la machine à soda ne dégage plus de gaz, retirez la bouteille et contactez le service clientèle de SodaStream le plus proche de chez vous.

VOUS ENTENDEZ DU GAZ S'ÉCHAPPER APRÈS L'INSTALLATION D'UN NOUVEAU CARBONATEUR

- Il est possible qu'il y ait une fuite de pression entre le support du carbonateur et la valve. Resserrez le carbonateur dans le raccord, SANS utiliser d'outils.

VOUS ENTENDEZ UN LÉGER SIFFLEMENT PENDANT LA GAZÉIFICATION

- Ce phénomène est normal. Le bruit cesse en fin de gazéification, une fois la bouteille inclinée vers l'avant, libérant ainsi la pression.

LA GAZÉIFICATION EST MAUVAISE

- Si vous n'avez pas encore ajouté l'arôme, essayez de renouveler la gazéification à un degré supérieur, en appuyant pour cela sur le bouton correspondant, situé en haut de la machine.
- Vérifiez le carbonateur: il n'a peut-être plus de gaz.
- Assurez-vous que l'eau à gazéifier est bien fraîche.

L'EAU DÉBORDE DE LA BOUTEILLE PENDANT LA GAZÉIFICATION

- Vérifiez que la bouteille de gazéification est remplie jusqu'à la ligne de remplissage.
- Évitez de trop appuyer sur le bouton de gazéification. N'appliquez que de brèves pressions, fermes.

VOTRE SODA N'EST PAS ASSEZ AROMATISÉ

- Il suffit d'ajouter un peu plus de concentré aromatique!
- **NE** renouvelez **PAS** la gazéification du liquide après l'avoir aromatisé.

DE PETITS MORCEAUX DE GLACE APPARAISSENT DANS L'EAU PENDANT LA GAZÉIFICATION

- C'est un phénomène normal, susceptible de se produire notamment lors de la gazéification d'une eau très froide. La glace se dissout rapidement et vous pourrez savourer une boisson encore plus rafraîchissante!

- ⚠ **ATTENTION:** Si vous soupçonnez que votre machine à soda est endommagée, cessez immédiatement de vous en servir et contactez le service clientèle de SodaStream le plus proche de chez vous.

GARANTIE LIMITÉE SODASTREAM

Un grand soin a été apporté à la fabrication de votre machine à soda pour qu'elle vous soit livrée en bon état. SodaStream assure ses produits. Sous réserve des conditions générales énoncées dans la présente garantie limitée, nous garantissons votre machine à soda exempte de défauts matériels et de fabrication, en utilisation normale chez soi, pour une période de dix (10) années suivant la date d'achat du produit.

Nous vous recommandons d'enregistrer votre machine à soda en ligne, sur le site www.sodastreamusa.com, ou d'envoyer la carte d'enregistrement du produit, fournie avec votre machine à Soda.

En cas de dysfonctionnement de votre machine à soda, si nous déterminons que celui-ci est dû à un défaut matériel ou de fabrication, nous réparerons ou remplacerons l'appareil gratuitement, à notre discrétion. SodaStream peut remplacer votre machine à soda par une machine remise à neuf ou par une machine équivalente si le modèle que vous avez acheté n'est plus disponible. Aucun remboursement ne sera effectué. Cette garantie limitée à 10 ans est applicable aux consommateurs résidant aux États-Unis uniquement, si votre machine à soda a été achetée chez un détaillant aux États-Unis, pour usage personnel, familial ou domestique.

Cette garantie NE couvre PAS :

- L'emploi abusif, la mauvaise utilisation, l'altération de la machine à soda ou son usage à des fins commerciales ;
- Les dommages résultant de la gazéification de liquides autres que l'eau ;
- L'usure normale (comme la décoloration) ;
- Le mauvais fonctionnement du produit dû, en totalité ou en partie, à l'altération, au démontage ou à la réparation de la machine à soda par un prestataire de service autre qu'un technicien agréé SodaStream ;
- Les dommages résultant de l'utilisation de carbonateurs ou de bouteilles de gazéification autres que ceux approuvés par SodaStream pour votre machine à soda ;
- Les dommages résultant de l'utilisation de la machine à soda avec un adaptateur de valve ;
- Les dommages résultant de l'utilisation d'une bouteille de gazéification périmée ;
- Les dommages causés par un accident, le transport ou toute autre raison qu'une utilisation domestique normale ;
- Les bouteilles de gazéification et les carbonateurs.

SodaStream n'est pas responsable des dommages directs ou indirects. L'unique et exclusif recours du consommateur concerne la réparation ou le remplacement conformément aux conditions générales de cette garantie. Certains États ne permettant pas l'exclusion ou la limitation de ces dommages, ces exclusions peuvent ne pas s'appliquer à leurs ressortissants. Si cette garantie est incompatible avec la législation applicable à l'acheteur, elle sera modifiée pour se conformer à la loi locale. Il est également possible que vous ayez d'autres droits, variables d'un état à l'autre. Les avantages accordés au consommateur par cette garantie s'ajoutent aux autres droits et recours qui pourraient lui être offerts aux termes de la loi applicable à cette machine à soda.

COMMENT OBTENIR UN SERVICE DE GARANTIE

Si votre produit nécessite l'intervention d'un service de garantie, veuillez contacter le service clientèle de SodaStream aux États-Unis, soit par téléphone au 1-800-763-2258, soit par télécopieur au 1-856-667-7893, ou nous contacter via notre site Web, www.sodastreamusa.com. Un représentant SodaStream vous donnera des instructions précises pour organiser l'expédition de votre machine à soda, à vos frais, vers l'un de nos centres techniques agréés.

POUR LES RÉSIDENTS DE CALIFORNIE

Les résidents californiens peuvent également bénéficier du service de garantie en retournant directement toute machine défectueuse à un magasin de vente au détail, distributeur de produits SodaStream similaires. À sa discrétion, la direction du magasin remplacera le produit ou prendra les dispositions nécessaires pour son expédition vers un centre de réparation SodaStream. L'enregistrement du produit n'est pas une condition préalable à sa protection de garantie.

SERVICE HORS GARANTIE

Si SodaStream ou ses agents agréés déterminent que le dysfonctionnement ou le dommage n'est pas couvert par la garantie, SodaStream ne réparera la machine à soda qu'après paiement des frais de réparation fixés.

CONDITIONS GÉNÉRALES

Toutes les réclamations, plaintes, demandes de jugement ou actions en justice intentées en vertu des présentes et concernant de quelque façon que ce soit votre machine à soda, sont régies et interprétées conformément aux lois de l'État du New Jersey, sans référence aux principes de conflits des lois. Le ou les acheteur(s) et utilisateur(s) consentent irrévocablement à la juridiction des tribunaux de l'État et des tribunaux fédéraux situés dans l'État du New Jersey dans le cadre de toutes les actions découlant de ou en relation avec la machine à soda. Le ou les acheteur(s) et utilisateur(s) renoncent à toute réclamation signifiant que le New Jersey est un lieu inadéquat. Le ou les acheteur(s) et utilisateur(s) conviennent en outre, qu'ils n'intenteront aucune action contre SodaStream dans toute autre juridiction.

CARBONATEURS

Votre machine à soda a été conçue pour fonctionner avec un carbonateur SodaStream d'origine. L'utilisation d'autres carbonateurs (cylindres de CO₂) n'est pas recommandée car ils pourraient ne pas être compatibles avec votre machine à soda Sodastream. Des carbonateurs de rechange sont disponibles chez les détaillants agréés SodaStream.

BOUTEILLES DE GAZÉIFICATION

Votre machine à soda a été conçue pour fonctionner avec une bouteille de gazéification Sodastream appropriée. Veuillez recycler vos bouteilles périmées selon la réglementation de recyclage en vigueur dans votre région.

SPÉCIFICATIONS TECHNIQUES

Régime nominal:

Pression maximale de fonctionnement: 145 PSI/10 bar

Température d'utilisation maximale autorisée: 104°F/40°C

Capacité de la bouteille selon la ligne de remplissage: 1 litre (33.8 oz.)

Capacité de la bouteille à ras bord: 1,15 l. (37 fl.).

SODASTREAM est une marque déposée de SodaStream International Ltd. ou de ses filiales.

Estimado Cliente:

△ Gracias por elegir comprar una de nuestras Máquinas de Soda (Soda Maker) de alta calidad. Antes de operar la Máquina de Soda, es importante que lea y comprenda todas las instrucciones de uso y cuidado, así como la Información importante sobre seguridad.

IMPORTANTE: ESTA MÁQUINA DE SODA PUEDE VENIR CON UNA BOTELLA ESPECIAL DE GASIFICACIÓN SEGURA PARA LAVAVAJILLAS IDENTIFICADA POR SU COLOR AZUL Y CLARAMENTE MARCADA "SEGURA PARA LAVAVAJILLAS". SI ESTÁ UTILIZANDO UNA BOTELLA DE GASIFICACIÓN QUE NO ESTÁ MARCADA "SEGURA PARA LAVAVAJILLAS", NUNCA DEBE COLOCARLA EN EL LAVAVAJILLAS NI EXPONERLA AL CALOR.

PRECAUCIONES IMPORTANTES

- Es necesario que exista una estricta vigilancia, si la Máquina de Soda es utilizada cerca de niños. Manténgala fuera del alcance de los niños.
- △ **ADVERTENCIA:** Si su botella gasificadora no está marcada "Segura para Lavavajillas", **NO** la exponga a temperaturas superiores a 120°F (49°C) o por debajo de 34°F (1°C). **NO** lave la botella gasificadora en el lavavajillas. **NO** enjuague la botella con agua caliente y **NO** coloque la botella en el congelador. Al hacerlo compromete la integridad del material de la botella gasificadora y puede resultar en lesiones personales graves.
- △ **ADVERTENCIA:** **NO** utilice la Máquina de Soda para gasificar cualquier otro líquido que no sea agua pura. Añádale sabor después de la gasificación.
- △ **ADVERTENCIA:** **NO** realice la gasificación con cualquier otro tipo de botella que no se encuentre diseñada especialmente para funcionar con esta Máquina de Soda.

GUARDE ESTAS INSTRUCCIONES Y FACÍLISELAS A CUALQUIER OTRO USUARIO POSTERIOR, ANTES QUE UTILICE LA MÁQUINA.

PRECAUCIONES GENERALES

- **PELIGRO:** El uso indebido de esta Máquina de Soda puede producir lesiones personales graves.
- △ **ADVERTENCIA:** **NO** use la Máquina de Soda si no está en su posición vertical ya que se pueden acumular niveles peligrosos de CO₂ en la botella gasificadora.
- **NO** gasifique una botella vacía.
- △ **ADVERTENCIA:** Antes de operar la Máquina de Soda, la botella gasificadora debe estar en la posición correcta.
- **NO** mueva la Máquina de Soda durante el proceso de gasificación.
- **NO** retire la botella durante el proceso de gasificación.
- △ **ADVERTENCIA:** **NO** utilice la Máquina de Soda para un fin que no sea la producción de agua con gas.
- El uso de esta Máquina de Soda para fines diferentes al indicado puede provocar lesiones personales graves.
- △ **ADVERTENCIA:** Siempre utilice la Máquina de Soda sobre una superficie plana, estable y resistente al calor, alejada de fuentes de calor. **NO** coloque la Máquina de Soda sobre una superficie caliente (por ejemplo, una placa de calentamiento) y nunca la utilice cerca de una llama abierta.
- Para reducir el riesgo de lesiones personales o daños materiales, cualquier servicio que no sea la limpieza y el mantenimiento del usuario deberá ser realizado por un representante de servicio autorizado por SodaStream.
- Por favor note: Pequeños trozos de hielo pueden aparecer en el agua durante la gasificación, si usar agua muy fría. Esto es normal y el hielo se disolverá rápidamente.

GASIFICADORES DE CO₂

- **PELIGRO:** Una fuga de CO₂ puede conducir a la intoxicación por dióxido de carbono. En el caso de una fuga de CO₂, ventile el área y busque atención médica inmediata.
- △ **ADVERTENCIA:** El gasificador debe ser inspeccionado antes de su uso para verificar que no tiene abolladuras, pinchazos u otros daños. Si se detecta alguno de estos, **NO** use el gasificador y póngase en contacto con un representante de servicio autorizado de SodaStream.
- △ **ADVERTENCIA:** El manejo incorrecto del gasificador puede causar lesiones personales graves.
- Manténgalo siempre lejos de cualquier fuente de calor y de la exposición directa a la luz solar.
- **NO** transporte la Máquina de Soda con el gasificador colocado en su lugar.
- **NO** modifique de ninguna manera al gasificador.
- **NO** intente perforar ni incinerar al gasificador.
- **NO** descarte o deje caer el gasificador.
- **NO** maneje un gasificador mientras esté descargando CO₂.

BOTELLAS

- **IMPORTANTE:** ESTA MÁQUINA DE SODA VIENE CON UNA BOTELLA GASIFICADORA ESPECIAL QUE SE PUEDE LAVAR EN EL LAVAVAJILLAS, IDENTIFICADA POR SU COLOR AZUL Y CLARAMENTE MARCADA "SEGURA PARA LAVAVAJILLAS". SI ESTÁ UTILIZANDO UNA BOTELLA DE GASIFICACIÓN QUE NO ESTÁ MARCADA "SEGURA PARA LAVAVAJILLAS", NUNCA DEBE COLOCARLA EN EL LAVAVAJILLAS NI EXPONERLA AL CALOR.
- △ **ADVERTENCIA:** **NO** realice la gasificación con cualquier botella que no esté específicamente diseñada para operar con esta Máquina de Soda.
- △ **ADVERTENCIA:** Si su botella gasificadora no está marcada "Segura para Lavavajillas", **NO** la exponga a temperaturas superiores a 120°F (49°C) o por debajo de 34°F (1°C). **NO** lave la botella gasificadora de SodaStream en el lavavajillas. **NO** la enjuague con agua caliente. **NO** coloque la botella cerca de una fuente de calor, como por ejemplo el horno de la cocina. **NO** deje las botellas en su automóvil. **NO** coloque la botella en el congelador. Al hacerlo compromete la integridad del material de la botella gasificadora y puede resultar en lesiones personales graves.
- △ **ADVERTENCIA:** **NO** use botellas gasificadoras que presenten cambios de forma, ya que esto es indicio de que está dañada. **NO** use botellas que estén rayadas, desgastadas, descoloridas, o con cualquier otro tipo de daño.
- △ **ADVERTENCIA:** Las botellas gasificadoras de SodaStream están claramente marcadas con la fecha de vencimiento cerca de su base. **NO** use las botellas después de esta fecha de vencimiento. Remplace y recicle las botellas vencidas de acuerdo con las leyes locales de reciclaje.
- Si su botella de gasificación está marcada como "Segura para Lavavajillas", asegúrese de que el nivel del líquido no sea superior a la línea de llenado antes de que la botella sea colocada en el congelador.

GASIFICACIÓN

- **⚠ ADVERTENCIA:** NO añadir saborizantes antes de la gasificación.
- **⚠ ADVERTENCIA:** NO gasifique una botella vacía
- Cuando el producto se utiliza cerca de los niños es necesaria la estricta supervisión de un adulto.
- La botella gasificadora debe estar en posición vertical antes de operar la Máquina de Soda.

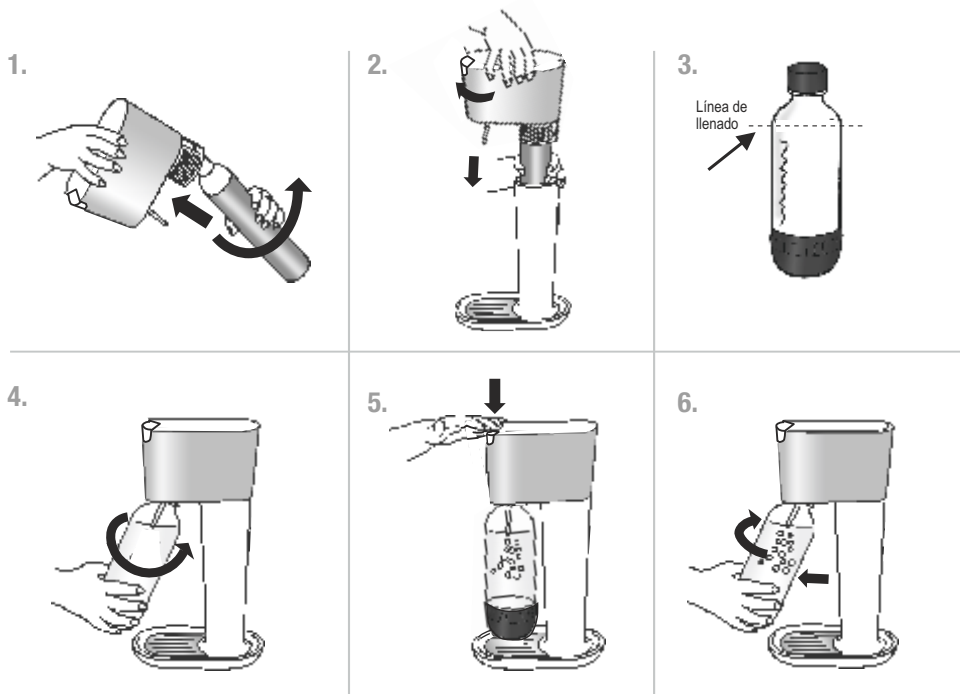
CONTENIDO DEL KIT DE INICIO DE LA MÁQUINA DE SODA

- Máquina de Soda SodaStream
- Botella gasificadora reutilizable segura para lavavajillas, sin BPA con Tapa de Preservación de Efervescencia*
- Gasificador de CO₂ 60L**
- Muestras de Sabor

* Una botella de gasificación segura para lavavajillas puede estar incluida y se identifica por su color azul y marcas "segura para lavavajillas".

** Dependiendo del tipo de Kit de Inicio comprado, puede incluir en su lugar un mini gasificador CO₂. Cuando está vacío, el mini gasificador CO₂ puede ser cambiado por un gasificador de tamaño completo en los negocios autorizados. El gasificador de 60L produce hasta 60 litros de soda, dependiendo del nivel de gasificación y el tipo de Máquina de Soda que se utilice.

PARA EMPEZAR



Coloque la Máquina de Soda en una superficie plana y firme, en posición vertical. Retire el material de embalaje. Enjuague la botella antes de usarla por primera vez. Para obtener mejores resultados, utilice agua fría.

1. Retire el sello de la válvula y la tapa de la válvula del gasificador. Atornille el gasificador en la cabeza de la Máquina de Soda. (No utilice ninguna herramienta).
2. Coloque la cabeza de la Máquina de Soda en la Máquina de Soda. Gire hasta oír un clic.
3. Antes de elaborar la soda, rellene las botellas gasificadoras con agua corriente hasta la línea de llenado y enfríe.
4. Cuando esté listo para gasificar, atornille la botella en la máquina.
5. Presione el botón de gasificación en presiones cortas hasta que escuche un zumbido FUERTE. 3 zumbidos FUERTES producirán una efervescencia estándar, presiones adicionales producirán una efervescencia más fuerte
6. Tire la botella de gasificación para adelante y desenrosque para quitar. Disfrute!
 ⚠ **ADVERTENCIA:** NO retire la botella hasta que escuche el sonido de exceso de CO₂ que se libera.

HACER SODA: AGREGAR SABORIZANTES

Para SodaStream Caps: Coloque un SodaStream Cap en la parte superior de la botella y presione firmemente. El saborizante se liberará y se disolverá inmediatamente. No es necesario mezclar. Retire el SodaStream Cap. Disfrute de su soda o colóquelo la tapa y apriete para consumo futuro.

Para botellas de Soda Mix: Sostenga la botella gasificadora ligeramente inclinada y agregue lentamente una tapa llena del saborizante deseado. Coloque la tapa y apriete, luego mezcle con un balanceo suave. Vea las instrucciones de mezclado en la botella.

CUIDADOS

MÁQUINA DE SODA

- Nunca use limpiadores abrasivos o herramientas afiladas para limpiar. Si necesario, utilice un detergente líquido suave y un paño húmedo. Seque completamente antes de volver a instalarlo
- Limpie los derrames en la base para mantener la base seca
- **NO** la coloque en agua o en un lavavajillas. Si lo hace, puede dañar seriamente o destruir su Máquina de Soda
- **NO** coloque ni guarde la Máquina de Soda cerca de una fuente de calor como por ejemplo un horno de cocina.

BOTELLAS

PARA SU SEGURIDAD:

- **⚠ ADVERTENCIA:** SI SU BOTELLA DE GASIFICACIÓN NO ESTÁ MARCADA "SEGURA PARA LAVAVAJILLAS," NO LAVAR LAS BOTELLAS DE GASIFICACIÓN EN EL LAVAVAJILLAS. SI LAS BOTELLAS DE GASIFICACIÓN SON COLOCADAS POR ERROR EN EL LAVAVAJILLAS, NO LAS UTILICE. TÍRELAS A LA BASURA. USAR BOTELLAS QUE SE HAN COLOCADO EN EL LAVAVAJILLAS O BOTELLAS QUE ESTÁN RAYADAS, DESGASTADAS, DESCOLORIDAS O DAÑADAS EN ALGUNA FORMA PUEDEN CAUSAR LESIONES PERSONALES GRAVES.
- Si lo desea, enjuague las botellas de gasificación con agua fría o tibia, pero nunca enjuague con agua caliente. Si es necesario, utilice para limpiarlas un detergente líquido suave para lavado a mano o un cepillo de cerdas suaves
- Su botella de gasificación se puede lavar en el lavavajillas sólo si está marcada como "Segura para lavavajillas".
- Cada botella de gasificación SodaStream tiene una fecha de caducidad impresa en la misma. **NO** use la botella después de esta fecha

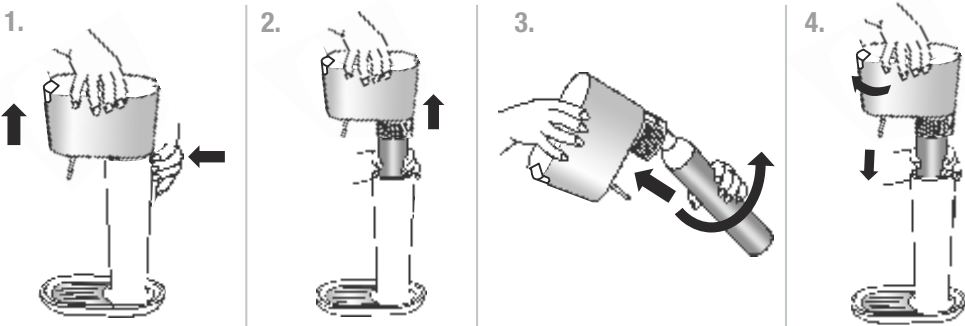
GASIFICADORES

El Gasificador SodaStream CO₂ se le proporciona bajo licencia. La licencia le permite cambiar su gasificador vacío por uno lleno en un minorista local y cercano autorizado por SodaStream.

Botellas de repuesto están disponibles donde se venden productos SodaStream.

Visitenos en www.sodastreamusa.com para obtener una lista de minoristas locales y para solicitar información.

REEMPLAZAR UN GASIFICADOR VACÍO



1. Desenrosque la botella gasificadora de la Máquina de Soda. Pulse el botón situado en la parte trasera.
2. Tire la cabeza de la Máquina de Soda hacia arriba. (Tenga cuidado al retirar el gasificador, ya que puede estar muy frío.)
3. Atornille el gasificador nuevo en la cabeza de la Máquina de Soda.
4. Coloque la cabeza de la Máquina de Soda en la Máquina de Soda. Gire hasta oír un clic.

SOLUCIÓN DE PROBLEMAS DE SU MÁQUINA DE SODA

Antes de llamar al servicio técnico, consulte la siguiente lista de problemas y soluciones:

LA MÁQUINA DE SODA NO FUNCIONA:

- Es posible que esté sin gas, así que cambie el gasificador.
- Compruebe que la botella gasificadora se haya llenado con agua hasta la línea de llenado.
- Asegúrese de que la Máquina de Soda esté siempre en posición vertical.
- El gasificador puede estar flojo. No use herramientas. Retire la botella y vuelva a apretar el gasificador. Aplique una presión firme, pero no en exceso. Si el gasificador ya se encuentra firmemente en su lugar, puede estar vacío. Cámbiolo por un gasificador lleno
- **⚠ ADVERTENCIA:** Tenga cuidado al retirar el gasificador, ya que puede estar muy frío.

SE OYE GAS SALIENDO DE LA BOTELLA:

- La botella puede no estar bien conectada. Deje que la Máquina de Soda finalice el proceso de gasificación y luego retire la botella y vuelva a conectarla, siguiendo las instrucciones de la sección "Para Empezar".
- Resulta normal oír el escape de una pequeña cantidad de gas al final del proceso de gasificación.

SI QUIERE GASIFICAR UNA BEBIDA QUE YA HABÍA GASIFICADO:

- **⚠ ADVERTENCIA:** PARA SU SEGURIDAD, NUNCA gasifique de nuevo después de agregar el saborizante. Solo puede gasificar agua nuevamente, como se explica en la sección "Para Empezar".

SU MÁQUINA DE SODA SIGUE LIBERANDO GAS DESPUÉS DE FINALIZAR LA GASIFICACIÓN:

- **⚠ ADVERTENCIA:** NO quite el gasificador o la botella. DEJE LA MÁQUINA DE SODA EN POSICIÓN VERTICAL. NO LO TOQUE HASTA QUE NO DEJE DE ESCUCHAR EL SONIDO DE ESCAPE DE GAS. Cuando la Máquina de Soda ya no esté liberando gas, retire la botella gasificadora, y póngase en contacto con el Centro local de Servicio al Cliente de SodaStream.

SI DESPUÉS DE INSTALAR UN NUEVO GASIFICADOR EN LA MÁQUINA DE SODA SE OYE EL SONIDO DE ESCAPE DE GAS:

- Puede haber una pérdida de presión entre el soporte del gasificador y la válvula. Ajuste más el gasificador en su accesorio. No utilice herramientas.

SE OYE UN RUIDO SIBILANTE BAJO DURANTE LA GASIFICACIÓN:

Esto es normal y el ruido se detendrá después de la gasificación cuando la botella es inclinada hacia delante, liberando la presión.

SI LA GASIFICACIÓN NO ES BUENA

- Si aún no ha añadido sabor, intente llevar la gasificación a un nivel más alto, presionando el botón en la parte superior de la máquina.
- Revise el gasificador. Podría estar sin gas.
- Asegúrese de que está gasificando agua fría.

EL AGUA SE DESBORDA DE LA BOTELLA GASIFICADORA DURANTE LA GASIFICACIÓN

- Compruebe que la botella gasificadora se haya llenado hasta justo debajo de la línea de llenado.
- Evite presionar el botón de gasificación por mucho tiempo. Use solamente presiones cortas y firmes.

SU SODANO ESTA SUFICIENTEMENTE SABROSA

- ¡Solo tiene que añadir más sabor al gusto!
- No vuelva a gasificar después de añadir el sabor.

PEQUEÑOS TROZOS DE HIELO APARECEN EN EL AGUA DURANTE LA GASIFICACIÓN:

- ¡Esto es normal y puede suceder, sobre todo cuando se está gasificando agua muy fría. El hielo se disolverá rápidamente y usted podrá disfrutar de su bebida extra fría!
- **⚠ ADVERTENCIA:** Si sospecha que su Máquina de Soda se encuentra dañada, deje de utilizarla inmediatamente y llame al Servicio local de Atención al Cliente de SodaStream.

GARANTÍA LIMITADA DE SODASTREAM

Se ha tenido mucho cuidado para asegurar que su Máquina de Soda le sea entregada en buen estado. SodaStream respalda sus productos. Garantizamos, sujeto a los términos y condiciones establecidos en esta garantía limitada, que su Máquina de Soda estará libre de defectos materiales y de mano de obra mientras se use con normalidad en el hogar durante diez (10) años a partir de la fecha de compra

Se recomienda que registre su Máquina de Soda en línea en www.sodastreamusa.com, o envíe la tarjeta de registro del producto que se incluye con la Máquina de Soda.

Si su Máquina de Soda tiene un desperfecto, y determinamos que éste se debe a defectos de fabricación o materiales, la repararemos o reemplazaremos sin costo alguno, a nuestra discreción. SodaStream puede reemplazar su Máquina de Soda con una Máquina de Soda reacondicionada o una equivalente si el modelo adquirido ya no está disponible. No habrá reembolso. Esta garantía limitada por 10 años está disponible para consumidores ubicados en los Estados Unidos, solamente, si usted posee una Máquina de Soda que fue comprada en tienda en los Estados Unidos para su uso personal, familiar o del hogar.

Esta garantía NO cubre:

- Abuso, mal uso, alteración de la Máquina de Soda, o uso comercial;
- Daños causados por gasificación de líquidos distintos al agua;
- Desgaste normal (por ejemplo, decoloración);
- Fallos del producto que han sido resultado, en todo o en parte, de modificación, desmontaje o reparación de la Máquina de Soda por un técnico que no sea de un Centro de Servicio Autorizado SodaStream;
- Daños causados por el uso de gasificadores o botellas gasificadoras distintos de los aprobados por SodaStream para su uso con la Máquina de Soda;
- Daños resultantes del uso de la Máquina de Soda con una válvula adaptadora;
- Daños causados por el uso de una botella de gasificación expirada;
- Daños causados por accidentes, transporte o cualquier cosa que no sea el uso doméstico normal;
- Las botellas de gasificación y gasificadores.

SodaStream no es responsable por daños incidentales o consecuentes. La única y exclusiva compensación del consumidor será la reparación o el reemplazo de acuerdo con los términos y condiciones de esta garantía. Algunos estados no permiten la exclusión o limitación de estos daños, por lo que estas exclusiones pueden no aplicarse en su caso. En la medida en que esta garantía contraviene las leyes locales, la misma se considerará modificada para acatar dichas leyes locales. Usted también puede tener otros derechos, los cuales varían de estado a estado. Los beneficios otorgados al consumidor por esta garantía son adicionales a otros derechos y recursos que pueden ser ofrecidos a los consumidores por la ley en relación con esta Máquina de Soda.

PARA OBTENER EL SERVICIO DE GARANTÍA

Si su producto necesita servicio de garantía, comuníquese con el Servicio al Cliente SodaStream por teléfono en los Estados Unidos al 1-800-763-2258, fax 1-856-667-7893, o póngase en contacto con nosotros a través de nuestro sitio web en www.sodastreamusa.com. Un representante de SodaStream le dará instrucciones específicas sobre cómo organizar el envío de su Máquina de Soda, a su cargo, a uno de nuestros centros de servicio autorizados.

PARA RESIDENTES DE CALIFORNIA

Los residentes de California también pueden obtener el servicio de garantía devolviendo cualquier Máquina de Soda averiada directamente a una tienda que venda productos SodaStream similares. A discreción de la tienda, ésta puede cambiar el producto o hacer arreglos para su envío a un centro de reparación SodaStream. El registro del producto no es un requisito previo para la protección de la garantía.

SERVICIO SIN GARANTÍA

Si SodaStream o sus agentes autorizados determinan que el mal funcionamiento o daño no está cubierto por la garantía, SodaStream reparará la Máquina de Soda sólo mediante el pago del costo de la reparación determinada.

TÉRMINOS Y CONDICIONES

Cualquier y todo reclamo, queja, demanda de juicio o acción legal presentada bajo este documento en relación de cualquier manera con su Máquina de Soda será gobernado e interpretado de acuerdo con las leyes del Estado de Nueva Jersey, sin referencia a sus conflictos de principios legales. Comprador(es) y usuario(s) se someten irrevocablemente a la jurisdicción de los tribunales estatales y federales ubicados en el Estado de Nueva Jersey, en relación con todas las acciones que surjan de o en conexión con la Máquina de Soda. Comprador(es) y usuario(s) renuncian a cualquier objeción de que Nueva Jersey es un foro inconveniente. Comprador(es) y usuario(s) asimismo aceptan que no va(n) a iniciar acciones legales contra SodaStream en ninguna otra jurisdicción.

GASIFICADORES

Su Máquina de Soda ha sido diseñada para operar con un gasificador SodaStream original. El uso de otros gasificadores CO2 no es recomendable, ya que pueden no ser compatibles con esta Máquina de Soda de SodaStream. Gasificadores de repuesto están disponibles en distribuidores autorizados SodaStream.

BOTELLAS DE GASIFICACIÓN

Su Máquina de Soda ha sido diseñada para operar con una botella de gasificación SodaStream adecuada. Recicle sus botellas caducadas de acuerdo con las leyes de reciclaje locales.

SPECIFICACIONES

Especificaciones de la máquina:

Presión máxima de trabajo: 145 PSI/10 bar

Temperatura máxima de operación permitida: 104°F/40°C

La capacidad de la botella en la línea de llenado es de: 33 fl. oz / 1 qt.

La capacidad de la botella llena hasta el borde es de: 37 fl. oz./1.15 qt.

SODASTREAM es una marca comercial de SodaStream International Ltd. o sus subsidiarias.

sodastream®

Thank you for purchasing your SodaStream home soda maker. You have now joined millions of people worldwide who are making their own fresh sparkling water and soda, without lugging, storing or disposing of bottles and cans. Please visit www.sodastreamusa.com to check out our full range of products and register your soda maker online. Lots of refreshing surprises await you!

REGISTERING YOUR SODA MAKER:

To register your machine, you may fill out the prepaid registration card included in the package, visit us at www.sodastreamusa.com or scan this QR code.



We hope that you will enjoy a lifetime of smart, simple soda with your new SodaStream home soda maker. SodaStream is completely committed to our customers's satisfaction. Please contact SodaStream customer support (1-800-763-2258) if you have any questions or comments about your soda maker.

sodastream®

USA

Imported by:
SodaStream USA, Inc.
PO Box 4366
Cherry Hill, NJ 08034-9996
Toll-Free Customer Support:
1-800-763-2258
Email: info@sodastreamsupport.com
www.sodastreamusa.com

CANADA

Imported by / Importé par:
SodaStream Canada Ltd.
120-1821 Wellington Ave.
Winnipeg, MB R3H 0G4
Toll-Free Customer Support:
1-877-436-5866



www.twitter.com/sodastreamusa



www.facebook.com/sodastream



www.youtube.com/user/sodastreamguru